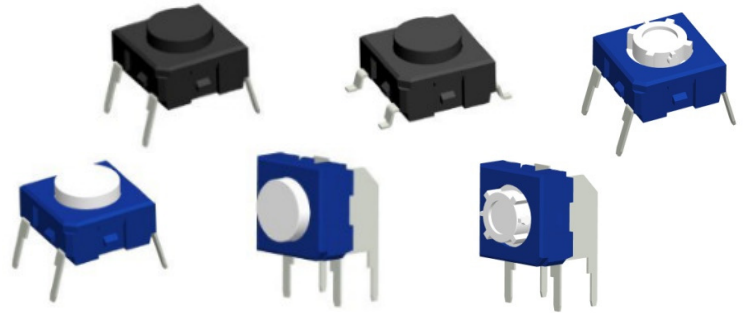
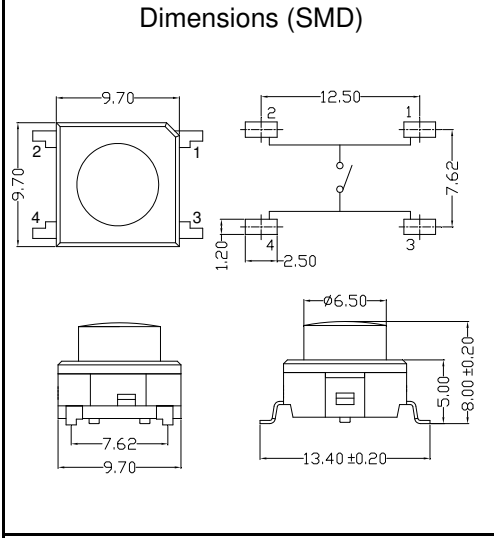
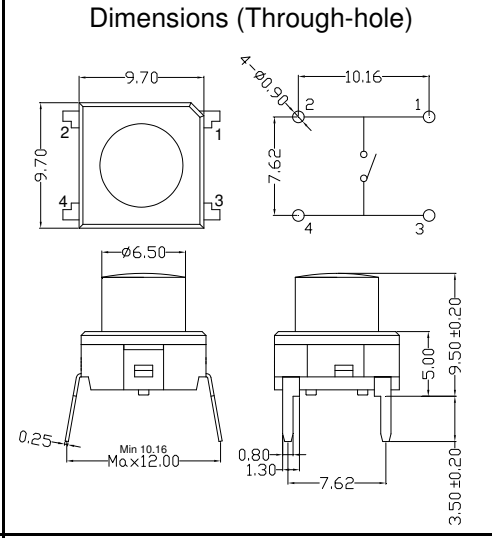
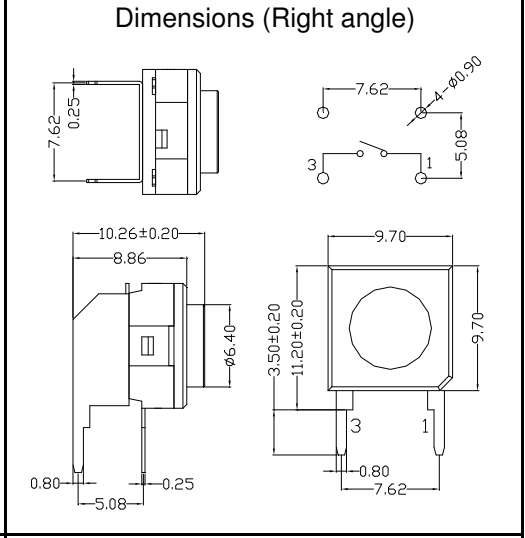
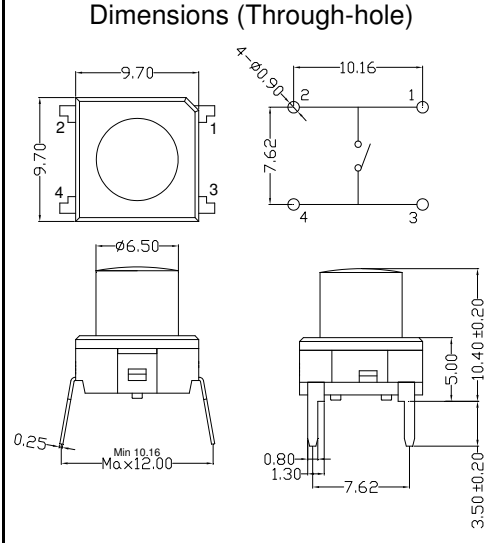
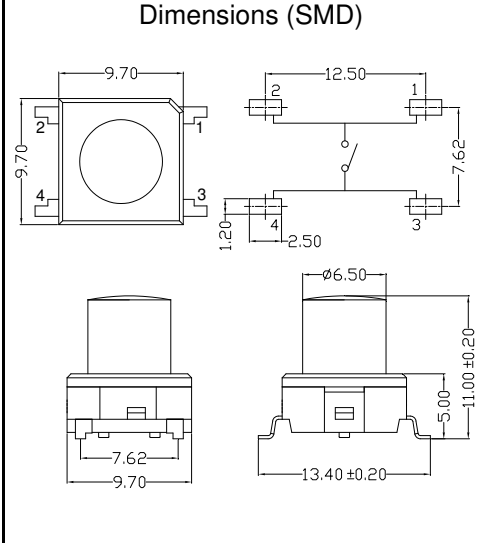
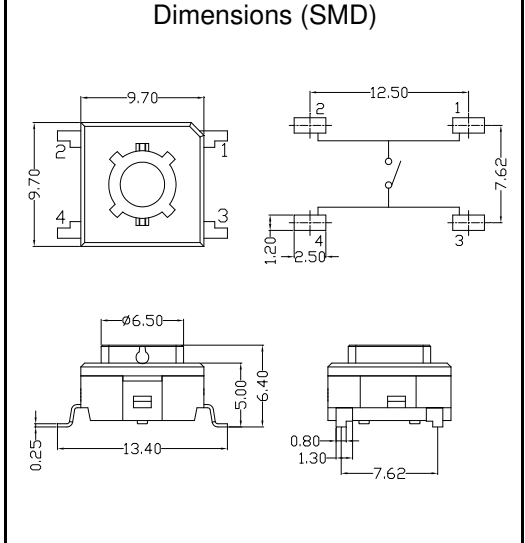


### Technical Data

Through-hole / SMD / Right angle  
 single pole / momentary  
 50mA/24VDC  
 10,000,000 operations life time (Max.)  
 Meet IP67  
 Contact resistance : <math><30\text{m}\Omega</math> (Initially)  
 Insulation resistance : >10M $\Omega$   
 Basic temp.: -40/+115 °C  
 High temp.: -40/+160 °C  
 Max actuation Force : 100N for 10 Sec.  
 Actuation force : 3.5N +/-1N (Standard)

**PATENTED**



3CS-8.0	3CH/T-9.5	3CY
<p>Dimensions (SMD)</p> 	<p>Dimensions (Through-hole)</p> 	<p>Dimensions (Right angle)</p> 
3CH/T-10.4	3CS-11.0	3ES
<p>Dimensions (Through-hole)</p> 	<p>Dimensions (SMD)</p> 	<p>Dimensions (SMD)</p> 

### Order Information

TM **3** **C**

Basic Switch series

3C  
3E

**H**

Mounting

H: Thru-hole  
 S: SMD  
 Y: Right angle  
 T: Thru-hole for  
 Reflow Soldering

**3**

Actuation Force

2: 250gf/ 2.5N  
 3: 350gf/ 3.5N (Standard)  
 6: 650gf/ 6.5N

**U**

X: Standard

U: Halogen Free

**8.0**

Total Height

None: 6.4mm(Standard)  
**8.0:** 8.0mm  
**9.5:** 9.5mm  
**10.4:** 10.4mm  
**11.0:** 11.0mm

**R**

Package

None: Tube  
 R: Tape & Reel